

FORMM SMART STRAP BRACING

FORMM Smart Strap Bracing is used for cross-bracing wall panels, roof trusses and flooring members in accordance with AS1684.2:2010 and AS1684.3:2010

Application

FORMM Strap Bracing are typically used for cross-bracing wall panels, roof trusses and flooring members in accordance with AS1684.2:2010/AS1684.3:2010.

Specification

FORMM Strap Bracing are manufactured using G300 Z275 galvanised steel.

Fasteners

Use only 30 x 2.8mm Ø galvanised connector plate nails.

Product Sizes

Table 1: FORMM Smart Strap Bracing Dimensions

Code	Size (mm)	Roll Length (m)
F11607-300806	30 x 0.8	6
F11607-300815	30 x 0.8	15
F11607-300830	30 x 0.8	30
F11607-300850	30 x 0.8	50
F11607-301006	30 x 1.0	6
F11607-301015	30 x 1.0	15
F11607-301030	30 x 1.0	30
F11607-301050	30 x 1.0	50
F11607-301230	30 x 1.2	30



Design Capacity Data

Table 2: Design Capacity Table of steel grade G300

Brace Dimensions (Width x Thickness)	Max Tension (kN)
30mm x 0.8mm	6.3
30mm x 1.0mm	8.6
30mm x 1.2mm	11.2

Note: Design capacities in Table 2 are obtained under test conditions.

NOTE: All FORMM™ products are compliant with the requirements of AS1684.2:2010/ AS1684.3:2010. Please consult structural engineer to ensure a correct brace is used

FORMM SMART STRAP BRACING

Metal Straps – Tensioned – With Stud Straps (Racking Capacity of 3.0kN/m), Table 8.18(d) from AS 1684.2:2010/ AS1684.3.2010

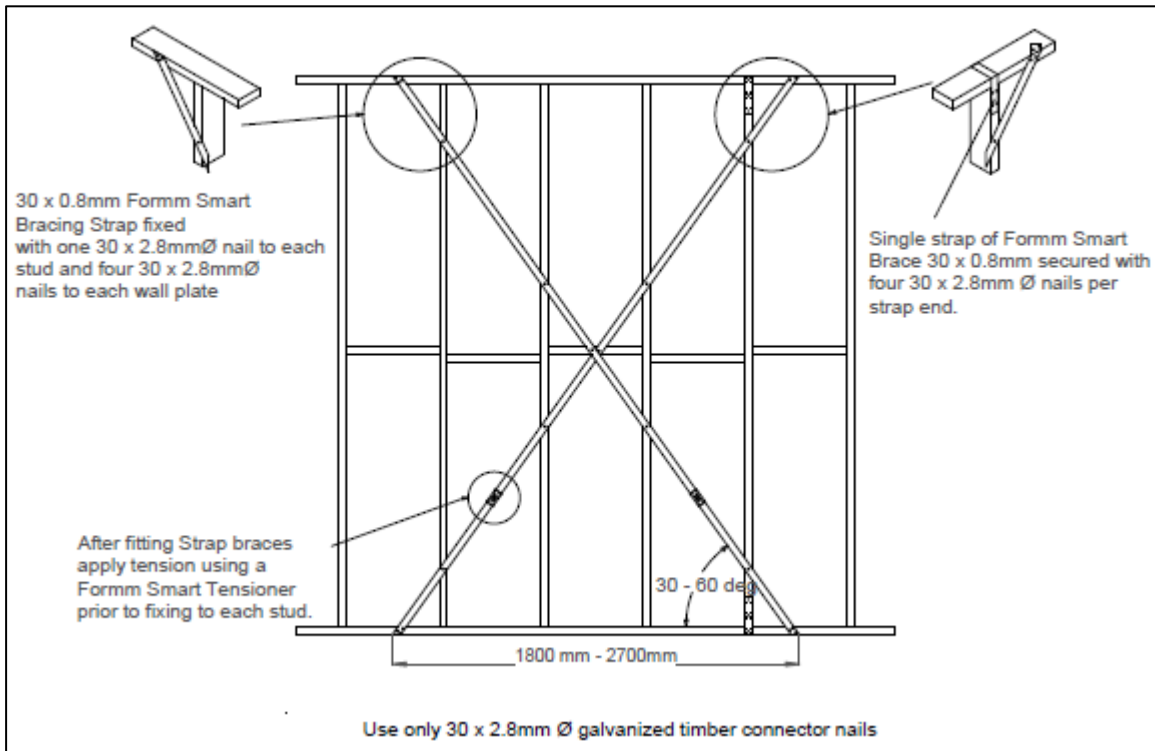


Table 3: Bracing capacity (kN) required to achieve racking capacity of 3.0kN/m

Wall height (m)	Bracing Length (m)									
	1.8	1.9	2.0	2.1	2.2	2.3	2.4	2.5	2.6	2.7
2.7	5.4	5.7	6.0	6.3	6.6	6.9	7.2	7.5	7.8	8.1
3.0	4.9	5.1	5.4	5.7	5.9	6.2	6.5	6.8	7.0	7.3
3.3	4.3	4.6	4.8	5.0	5.3	5.5	5.8	6.0	6.2	6.5

Note:

- The values in Table 3 are valid for the wall heights stated. For wall heights greater than 2.7m, the capacity should be multiplied by a value the following table;

BRACING WALL CAPACITY/HEIGHT MULTIPLIER	
Wall Height, mm	Multiplier
3 000	0.90
3 300	0.80
3 600	0.75
3 900	0.70
4 200	0.64

- Bracing capacities are only valid and limited to wall width that are 1800mm to 2700mm.

FORMM SMART STRAP BRACING

Metal Straps – Tensioned (Racking Capacity of 1.5kN/m), Table 8.18 (b) from AS 1684.2:2010/ AS1684.3:2010

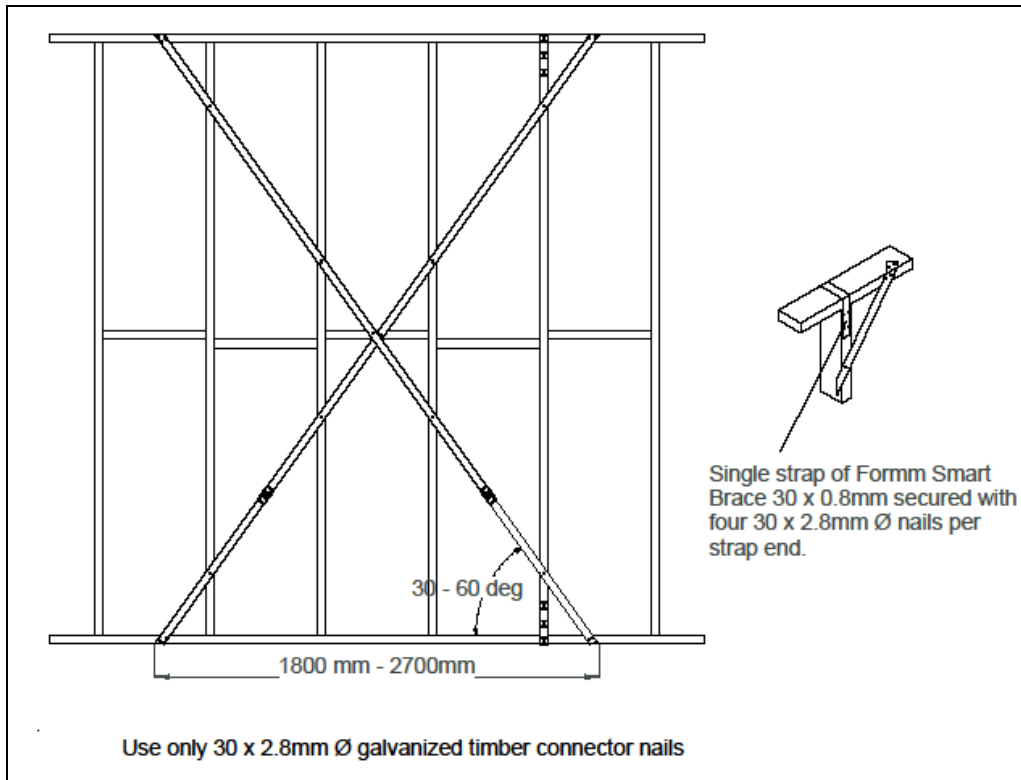


Table 4: Bracing capacity (kN) required to achieve racking capacity of 1.5kN/m

Wall height (m)	Bracing Length (m)									
	1.8	1.9	2.0	2.1	2.2	2.3	2.4	2.5	2.6	2.7
2.7	2.7	2.9	3.0	3.2	3.3	3.5	3.6	3.8	3.9	4.1
3.0	2.4	2.6	2.7	2.8	3.0	3.1	3.2	3.4	3.5	3.6
3.3	2.2	2.3	2.4	2.5	2.6	2.8	2.9	3.0	3.1	3.2

Note:

- The values in Table 4 are valid for the wall heights stated. For wall heights greater than 2.7m, the capacity should be multiplied by a value the following table;

BRACING WALL CAPACITY/HEIGHT MULTIPLIER	
Wall Height, mm	Multiplier
3 000	0.90
3 300	0.80
3 600	0.75
3 900	0.70
4 200	0.64

- Bracing capacities are only valid and limited to wall width that are 1800mm to 2700mm.

NOTE: All FORMM™ products are compliant with the requirements of AS1684.2:2010/ AS1684.3:2010. Please consult structural engineer to ensure a correct brace is used